



AdaptaBeacon® Heavy Duty Strobe

***Div. 2 Hazardous Location
NEMA Type 4X***

94DV2 Series

FEATURES

- > Weatherproof
- > Optically designed fresnel lens
- > Heavy duty, high profile
- > Six lens colors available
- > Immune to shock and vibration
- > Cast base may be used as a junction box
- > Shatter resistant clear polycarbonate dome

The Edwards 94DV2 Series Division 2, NEMA Type 4X AdaptaBeacons high profile visual signals, ideal for outdoor and wet locations requiring a UL Listed, NEMA Type 4X enclosure. A series of complementing fresnels that cause the dome to "fill" with light each time the strobe flashes. This design feature increases the AdaptaBeacon "on-time", thus improving viewer perception. Beam distance is also increased with external fresnel lenses.

Trigger and timing circuits are included as integral parts of the power supply. Replacement costs are reduced as it is necessary to replace only the strobe tube.

Designed for indoor or outdoor installation on 3/4" (19mm) conduit. For weatherproof installations, unit must be mounted vertically, with the lens facing up. Mount on 3/4" (19mm) conduit with the lens facing up.

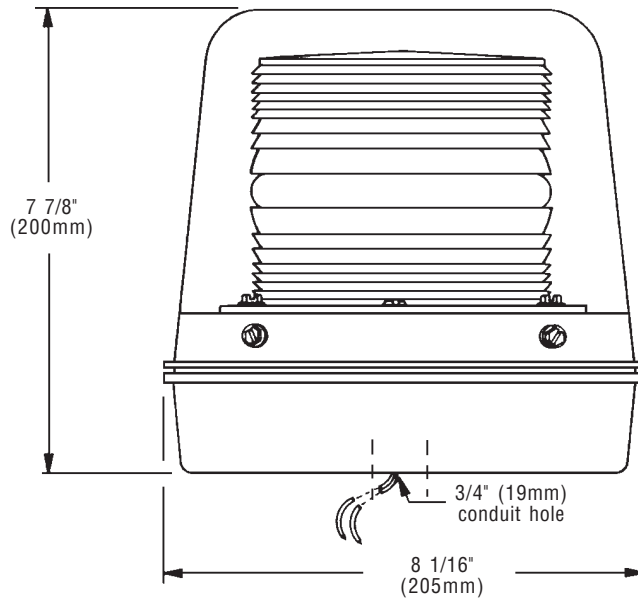
The 94DV2 is often used to signal warning, evacuation, manufacturing processes, stop start, equipment malfunction, personnel danger, visual communications, work breaks, and phone calls. They are also ideally suited for installations where a larger, brighter visual signal is specified. The gasketed weatherproof design assures installation acceptability in most industrial and commercial locations.

AGENCY APPROVALS

- > UL 1638 and 1604 Listed
- > UL Listed NEMA Type 4X enclosure
- > cUL Listed



TECHNICAL INFORMATION



Cat. No.	Lens Color	Replacement Lens	Flash Rate	Electrical Ratings	Replacement Dome	Replacement Strobe Tube	Peak Candlepower
94DV2R-N5	Red	93-LR	65 fpm	120V 50/60 Hz	94DV2-DC	92-ST	800,000 cd
94DV2A-N5	Amber	93-LA		0.1 Amp		3,000 hour*	
94DV2B-N5	Blue	93-LB					
94DV2G-N5	Green	93-LG					
94DV2M-N5	Magenta	93-LM					
94DV2C-N5	Clear	93-LC					

*Calculated at operating power to 75% efficiency.

HAZARDOUS LOCATION LISTINGS

Class	Division	Group	Operating Temperature Code
I	2	A,B,C,D	T3 (200C, 392F)
II	2	F,G	T6 (85C, 185F)
III	1		T6 (85C, 185F)